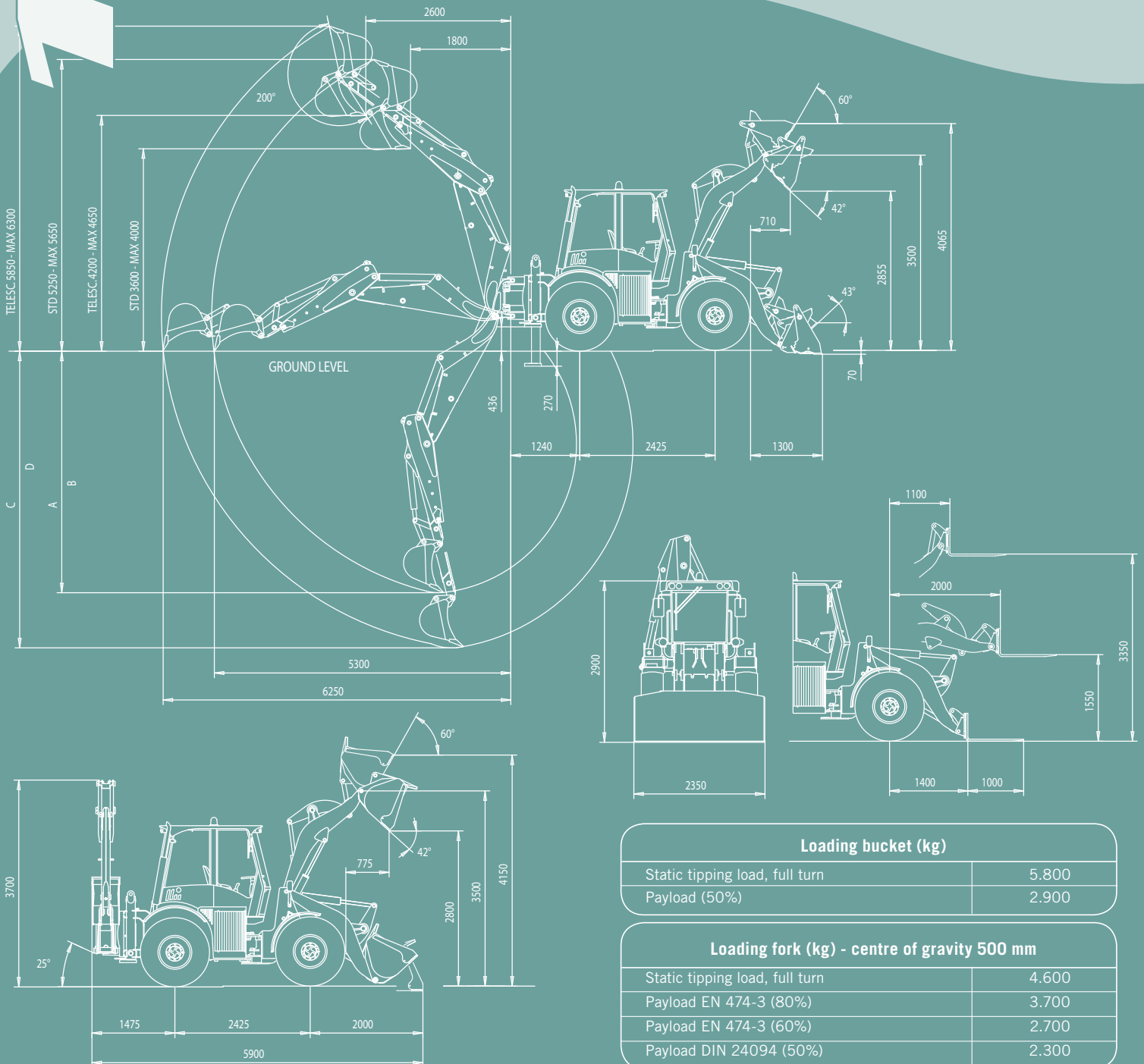


1023L

- Max power 117 CV
- Bucket capacity 1.3 - 1.6 m³
- Max. digging depth 5.00 m (6.00 m)
- Max operative weight 9000 kg
- Hydrostatic transmission
- 4 wheel drive



Venieri
articulated
backhoe loader



Loading bucket (kg)

Static tipping load, full turn	5.800
Payload (50%)	2.900

Loading fork (kg) - centre of gravity 500 mm

Static tipping load, full turn	4.600
Payload EN 474-3 (80%)	3.700
Payload EN 474-3 (60%)	2.700
Payload DIN 24094 (50%)	2.300

DIESEL ENGINE

Engine: 4 cylinder, direct injection engine, turbocharged, water-cooled, paper dry filter. Emissioned engine according the CEE 97/68 stage II.

Type	Perkins 1104 C 44T
Max. power	86 kW - 117 HP
Rated rpm	2200
Net power ISO/TR 14396	75 kW - 102 HP
Net power EEC 80/1269	75 kW - 102 HP
Bore	mm 105
Stroke	mm 127
Displacement	cm ³ 4400

ELECTRIC SYSTEM

Battery	12 Volt
Capacity EN 60095-1	100 Ah - 1080 A
Alternator rating	65 A
Reverse warning	Standard
Wiring according with	IP 67 DIN 40050

TRANSMISSION

Hydrostatic transmission with automatic power regulation and closed circuit with variable displacement pump and two motors. Four forward/reverse speeds with single lever electric control.

	<i>forward</i>	<i>reverse</i>	
1 st gear km/h	0÷6	0÷6	
2 nd gear km/h	0÷9	0÷9	<i>automatic gearshift</i>
3 rd gear km/h	0÷12	0÷12	
4 th gear km/h	0÷38	0÷38	<i>automatic gearshift</i>

AXLES

All-wheel drive.
Planetary final drives in each wheel.
Front axle: rigid
Rear axle: oscillating up to a total angle of 20° and "Limited Slip" differential.
Hydraulic locking device on the rear oscillating axle.

BRAKES

Service: multi-disc oil brakes on each wheel.
Parking: band-type on the split outlet hand-operated.

TYRES

Standard	17.5 L24
Option	15.5-25 • 15 R25 • 405/70 R24

STEERING

Central articulated frame with servo assisted through DANFOSS OSPC 315 hydraulic LOAD SENSING steering unit.

Total steering angle	80°
Inner tyres turning radius	mm 2800
Outer tyres turning radius	mm 4900
Outer bucket turning radius	mm 5500

HYDRAULIC SYSTEM

Two hydraulic gear pumps, the first for the loader circuit and the second for the steering.
"Combined Flow" circuit system for feeding the rear distributor.
Modular two-element control valve for the loader, modular six-element control valve for the backhoe.
Double acting hydraulic cylinder.
Hydraulic oil cooling radiator.

Full-flow oil filter on the leakage pipe.

Max flow	lt/1'	145
Loader relief valve pressure	bar	230
Steering relief valve pressure	bar	175
Lift cylinders	mm	90x665
Bucket cylinder	mm	110x445
Cycle time	sec	8.1

Loader control

Single lever arm-control with 4-position lifting system and width 3-position bucket system.

Backhoe control

Two levers backhoe control, "cloche" type.
Two hydraulic-control independent stabilizers.
Side translation with four hydraulic locking devices.

SERVICE CAPACITIES

Engine	kg	9
Gearbox	kg	1,5
Differential	kg	3,5
Planetary gear	kg	2
Hydraulic circuit	kg	120
Brake system	kg	0,6
Fuel	lt	110
Water cooling	lt	19

TECHNICAL FEATURES

Loader:

Standard bucket capacity	m ³	1,30
Standard bucket width	mm	2350
Breakout force	kg	9700
Dump clearance	mm	3500
Dump height at 42°	mm	2800
Reach at 42°	mm	775

Backhoe:

Type	VF	4.65B
Standard bucket capacity	lt	200
Standard bucket width	mm	600
Dipperstick max. penetration capacity	kg	4500
Max. breakout force on the bucket tip	kg	5800
Max hydr. lifting capacity on the bucket pin up	kg	1500
Rotation		180°
A - Max digging depth	mm	5000
B - Standard digging depth (SAE)	mm	4600
C - Max digging depth with telescopic (opt.)	mm	6000
D - Standard digging depth (SAE) with telesc. (opt)	mm	5600

DIMENSIONS AND WEIGHTS

Max length in transfer position	mm	6000
Max width in transfer position	mm	2350
Width across tyres	mm	2100
Tracks width	mm	1650
Maximum height	mm	3700
Ground clearance	mm	450
Standard weight in running order	kg	8600
Max weight in running order	kg	9000

10.23

www.vf-venieri.com

VF VENIERI S.p.A.

Via Piratello, 106 - 48022 LUGO (RA) ITALY
Tel. +39 0545 904411 Fax +39 0545 30389

SPARE PARTS: Tel. +39 0545 904429 Fax +39 0545 24555